




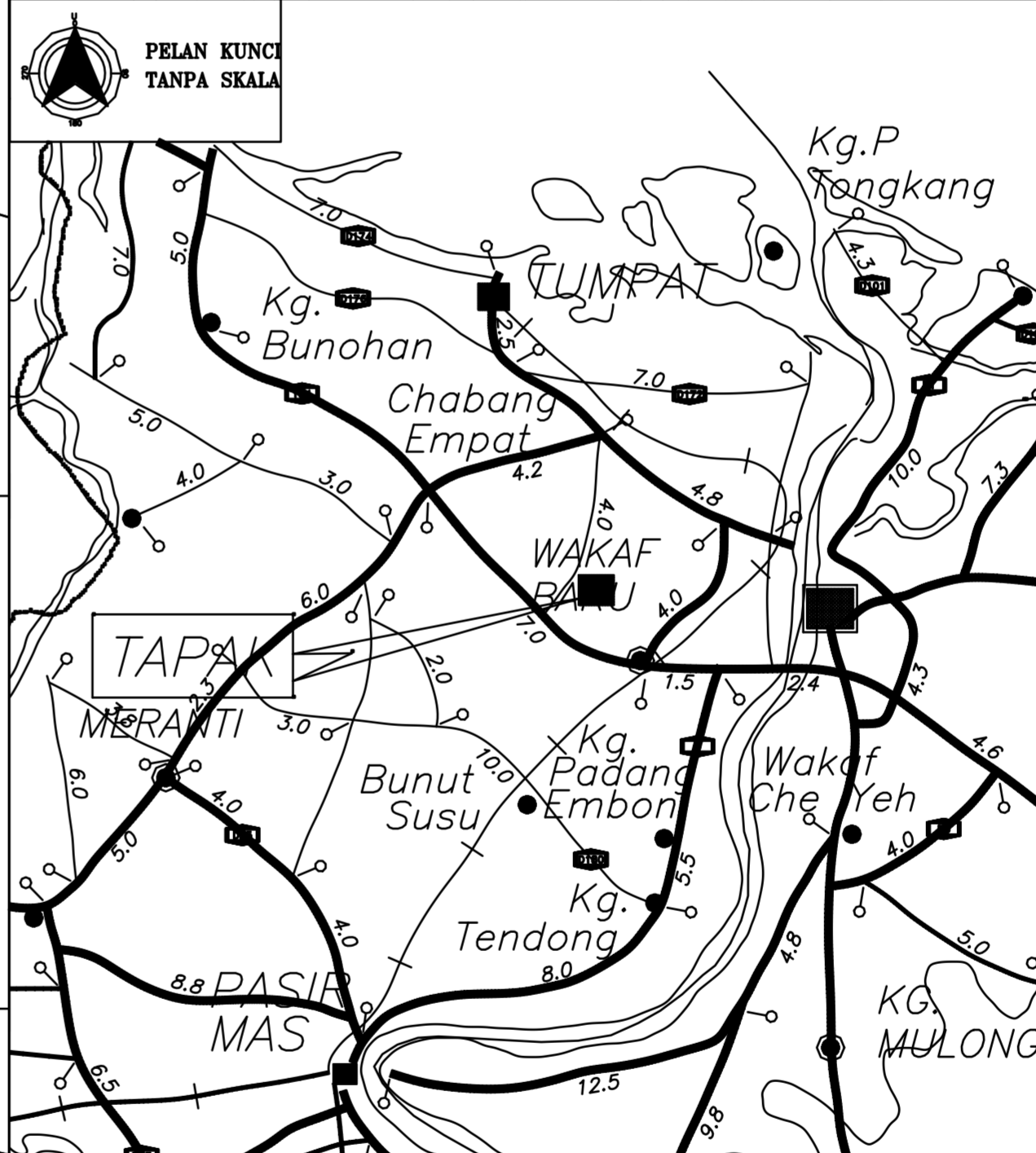
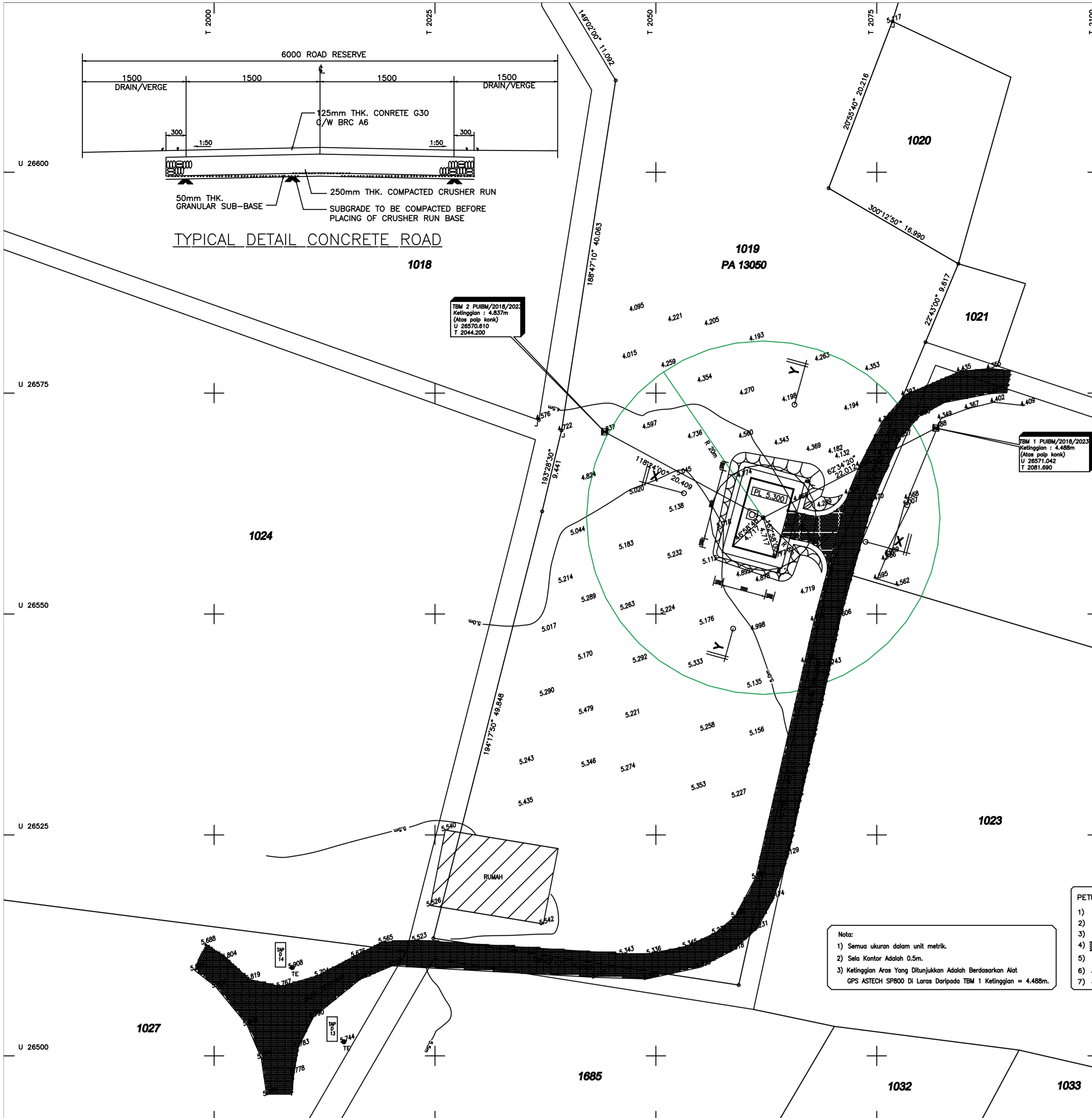
**CADANGAN MEMBINA DAN MENYIAPKAN 'LAMP POLE'
 SETINGGI 30 METER DI ATAS LOT 1019 KG., CHENDERONG BATU,
 MUKIM CHENDERONG BATU, DAERAH WAKAF BHARU,
 JAJAHAN TUMPAT, KELANTAN
 UNTUK TETUAN INFRA QUEST SDN. BHD.**

**[TAMAN KEBAKAT (BKAD)]
 NS/ALSB/02/19-23/BKAD**

OWNER'S :	OPERATOR :	CIVIL ENGINEER :
 INFRA QUEST SDN BHD <small>Lot 1045, Jalan Dato' Lundang, 15200 Kota Bharu, Kelantan DarulNaim. Tel : 09-7414383 Fax : 09-7414389</small>	 MAXIS <small>MAXIS BROADBOND SDN BHD LEVEL 4A, MENARA SUNWAY ANNEXE JALAN LAGUN TIMUR, BANDAR SUNWAY 46150 PETALING JAYA, SELANGOR</small>	<p>JURUTERA PERUNDING NUSA SEKUTU SDN. BHD.</p>  <small>MS ISO 9001:2015</small> <p>www.nusasekutu.com PT 110, TINGKAT 3, JALAN TELIPOT, 15200 KOTA BHARU, KELANTAN DARUL NAIM. TEL NO. : 09 - 746 2689 FAX NO. : 09 - 743 0540 Email : nusasekutu@gmail.com</p>

**CADANGAN MEMBINA DAN MENYIAPKAN 'LAMP POLE' SETINGGI
30 METER DI ATAS LOT 1019, KG. CHENDERONG BATU, MUKIM
CHENDERONG BATU, DAERAH WAKAF BHARU, JAJAHAN TUMPAT,
KELANTAN UNTUK TETUAN INFRA QUEST SDN. BHD.
[TAMAN KEBAKAT (BKAD)]**

BIL	TITLE	DRAWING NO.	SIZE/SET		REVISION DATE			REMARKS
			A1	A3	1	2	3	
1	KEY PLAN LOCATION PLAN SITE LAYOUT PLAN SYOR-SYOR BOMBA	NS/ALSB/02/19-23/BKAD/LP30/PMW/C/01	✓	✓				
2	CONCRETE BASE PLAN PLINTH DETAIL	NS/ALSB/02/19-23/BKAD/LP30/PMW/C/02		✓				
3	FOUNDATION PILING AND FOOTING LAYOUT PILECAP DETAIL	NS/ALSB/02/19-23/BKAD/LP30/PMW/C/03		✓				
4	TYPICAL FENCING DETAILS AND GATE DETAIL	NS/ALSB/02/19-23/BKAD/LP30/PMW/C/04		✓				
5	PRESTRESSED SPUN CONCRETE POLE	NS/ALSB/02/19-23/BKAD/LP30/PMW/S/01		✓				
6	ELEVATION AND SECTION DETAIL	NS/ALSB/02/19-23/BKAD/LP30/PMW/S/02		✓				
7	ELECTRICAL LAYOUT PLAN EARTHING LAYOUT PLAN	NS/ALSB/02/19-23/BKAD/LP30/PMW/E/01		✓				
8	DISTRIBUTION BOX DETAIL AND SCHEMATIC DIAGRAM	NS/ALSB/02/19-23/BKAD/LP30/PMW/E/02		✓				
9	TYPICAL TNB KWH METER BOX	NS/ALSB/02/19-23/BKAD/LP30/PMW/E/03		✓				
10	63A PDU (5G) PANEL LAYOUT SINGLE LINE DIAGRAM	NS/ALSB/02/19-23/BKAD/LP30/PMW/E/04		✓				



- PETUNJUK :-**
- 1) Batu Konkrit Lama(Jumpa)
 - 2) Paip Besi
 - 3) Batu arca sementara
 - 4) Jalan Berturap
 - 5) TE Tiang Elektrik
 - 6) Pintu Pagor
 - 7) Pagor Dowal

Nota:
 1) Semua ukuran dalam unit metrik.
 2) Sela Kantor Adalah 0.5m.
 3) Ketinggian Area Yang Ditunjukkan Adalah Berdasarkan Alat GPS ASTECH SP800 Di Lanta Daripada TBM 1 Ketinggian = 4.488m.

Cut X
Fill Area=5.43m²

DATUM 0.000	5.00	5.00	5.00	5.00	5.00
EXISTING LEVEL	6.082	6.016	4.823	4.569	4.538
PROPOSED PLATFORM LEVEL	6.082	6.300	6.300	4.569	4.538
DISTANCE	0.00	6.288	12.898	17.863	21.295

Cut Y
Fill Area=6.93m²

DATUM 0.000	5.00	5.00	5.00	5.00	5.00
EXISTING LEVEL	6.087	4.882	4.821	4.198	4.198
PROPOSED PLATFORM LEVEL	6.087	6.300	6.300	4.198	4.198
DISTANCE	0.00	7.405	18.805	28.278	28.278

**300mm THK TOP SOIL TO BE REMOVED
 ESTIMATE FILL VOLUME: 90.00m³
 (EXCLUDING 300mm THK TOP SOIL)**

NOTA :-

SYOR-SYOR BOMBA

TAJUK PROJEK : **CADANGAN MEMBINA DAN MENYIAPKAN 'LAMP POLE' SETINGGI 30 METER DI ATAS LOT 1019, KG. CHENDERONG BATU, MUKIM CHENDERONG BATU, DAERAH WAKAF BHARU, JAJAHAN TUMPA, KELANTAN UNTUK TETUAN INFRA QUEST SDN. BHD. [TAMAN KEBAKAT (KBAD)]**

ADALAH SAYA MENDACAKAN AGAR MAKSUD UTAMA PENGGUNAAN CADANGAN PROJEK SEPERTI DI ATAS ADALAH DALAM KUMPULAN MAKSUD STRUKTUR KHAS DAN KEPERLUAN KELENGKAPAN KESELAMATAN KEBAKARAN ADALAH SEPERTI BERIKUT. [KEPERLUAN KELENGKAPAN KESELAMATAN KEBAKARAN HENDAKLAH DITENTUKAN MENGIKUT UBBL PADA SESUATU CADANGAN PROJEK].
 - MENARA TELEKOMUNIKASI (TADA KABIN - OUTDOOR)

KEHENDAK - KEHENDAK AM

1. SEMUA PENDAMPAAN ELEKTRIK BAGI SISTEM KECEMASAN HENDAKLAH DIPASANG DI DALAM CONDUIT LOGAM ATAU DARIPADA KABEL YANG MEMPUNYAI PENEBAT MINERAL TAHAN API. PEMASANGANNYA HENDAKLAH SEPANJANG KAWASAN YANG PALING KURANG RISIKO KEBAKARAN DAN MEMATUHI UKK 253, ULKBS 1984.

PERINGATAN

1. SEGALA SYARAT-SYARAT YANG DIKEMUKAKAN ADALAH TERTAKLUK KEPADA REKABENTUK DAN KEGUNAAN SERTA LOKASI BANGUNAN TERSEBUT. SEKIRANYA SEBARANG PERUBAHAN YANG DIKUKUH KE ATAS REKABENTUK ATAU KEGUNAANNYA SEPERTI YANG DICATATKAN DI ATAS PELAN MAKA HENDAKLAH DIRUJUK KE JABATAN NI UNTUK DIKaji SEMULA.
 2. SEGALA PEMULIHAN BAHAN DAN PENGGUNAANNYA YANG BERKAITAN DENGAN KESELAMATAN KEBAKARAN BAGI PROJEK CADANGAN SERTA SISTEM PENCEGAHAN KEBAKARAN HENDAKLAH MEMATUHI UBBL 1984 DAN PERATURAN-PERATURAN YANG DITERIMA SAHAJA DAN YANG DIBENARKAN OLEH JABATAN BOMBA DAN PENYELAMAT MALAYSIA.

3. PENGESAHAN PELAN INI ADALAH TIDAK TERTAKLUK KEPADA PENYIMPANAN, PENGGUNAAN, PEMEROSAN DAN PENGHASILAN BAHAN BAHAYA ATAU KIMIA BERBAHAYA. SEKIRANYA TERDAPAT SEBARANG PENYIMPANAN, PENGGUNAAN, PEMEROSAN DAN PENGHASILAN BAHAN BAHAYA ATAU KIMIA BERBAHAYA SETELAH PELAN DISAHKAN MAKA PELAN BANGUNAN TERSEBUT HENDAKLAH DIRUJUK KEMBALI KE JABATAN INI UNTUK DIKaji SEMULA.

SAYA MENYATAKAN WALAUPUN APA - APA PELAN, LUKISAN ATAU KIRAN YANG TELAH DILULUSKAN OLEH JABATAN BOMBA DAN PENYELAMAT MALAYSIA, TANGGUNGJAWAB BAGI KEMUNGKINAN KEPADA MANA - MANA BANGUNAN ATAU SEBARAHGAN DARIPADA SESUATU BANGUNAN HENDAKLAH TERLETAK ATAS ORANG YANG MENEMUKKAN PELAN, LUKISAN ATAU KIRAN ITU.

(Tandatangan)
 (Nama Orang Yang Berkeleyakan)
 No. Pendaftaran dan Cop Jurutera Bertulis

NOTA

OPERATOR :

MAXIS BROADBOND SDN BHD
 LEVEL 4A, MENARA SUNWAY ANNEXE
 JALAN LAGUN TIMUR, BANDAR SUNWAY
 46150 PETALING JAYA, SELANGOR

PEMILIK

INFRA QUEST SDN BHD
 Lot 1045, Jalan Dato' Lundang,
 15200 Kota Bharu, Kelantan DarulHaim.
 Tel : 09-7414383 Fax : 09-7414389

PROJEK

CADANGAN MEMBINA DAN MENYIAPKAN 'LAMP POLE' SETINGGI 30 METER DI ATAS LOT 1019, KG. CHENDERONG BATU, MUKIM CHENDERONG BATU, DAERAH WAKAF BHARU, JAJAHAN TUMPA, KELANTAN UNTUK TETUAN INFRA QUEST SDN. BHD. [TAMAN KEBAKAT (KBAD)]

JURUTERA SIVIL & STRUKTUR

PT 110, TINGKAT 3, JALAN TELPOT, JURUTERA PERUBUNG 15200 KOTA BHARU, KELANTAN DARUL MAHA.
 TEL NO. : 09-744 2689
 FAX NO. : 09-748 0540
 Email : nusasek@gnail.com

I hereby certify that these works have been design by me in accordance with sound engineering practice and that I take full responsibility for the design and proper performance of the same.

IR. NIK HASNI BIN NIK MAHMUD
 Adv. Dip. C. Eng. (UTM),
 P. Eng. M.I.E.M.

TAJUK LUKISAN

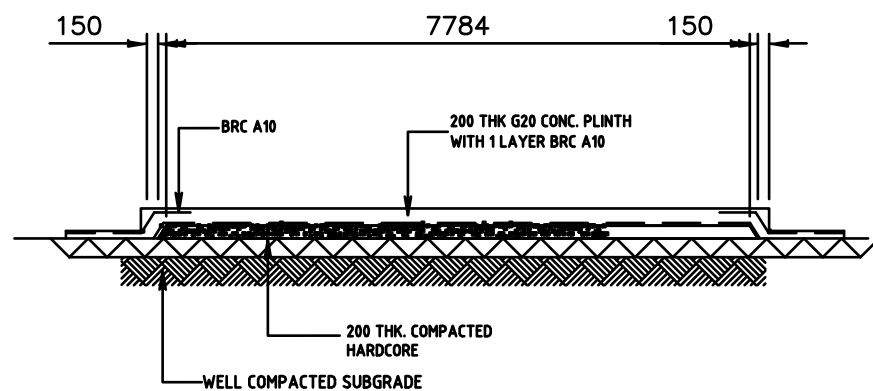
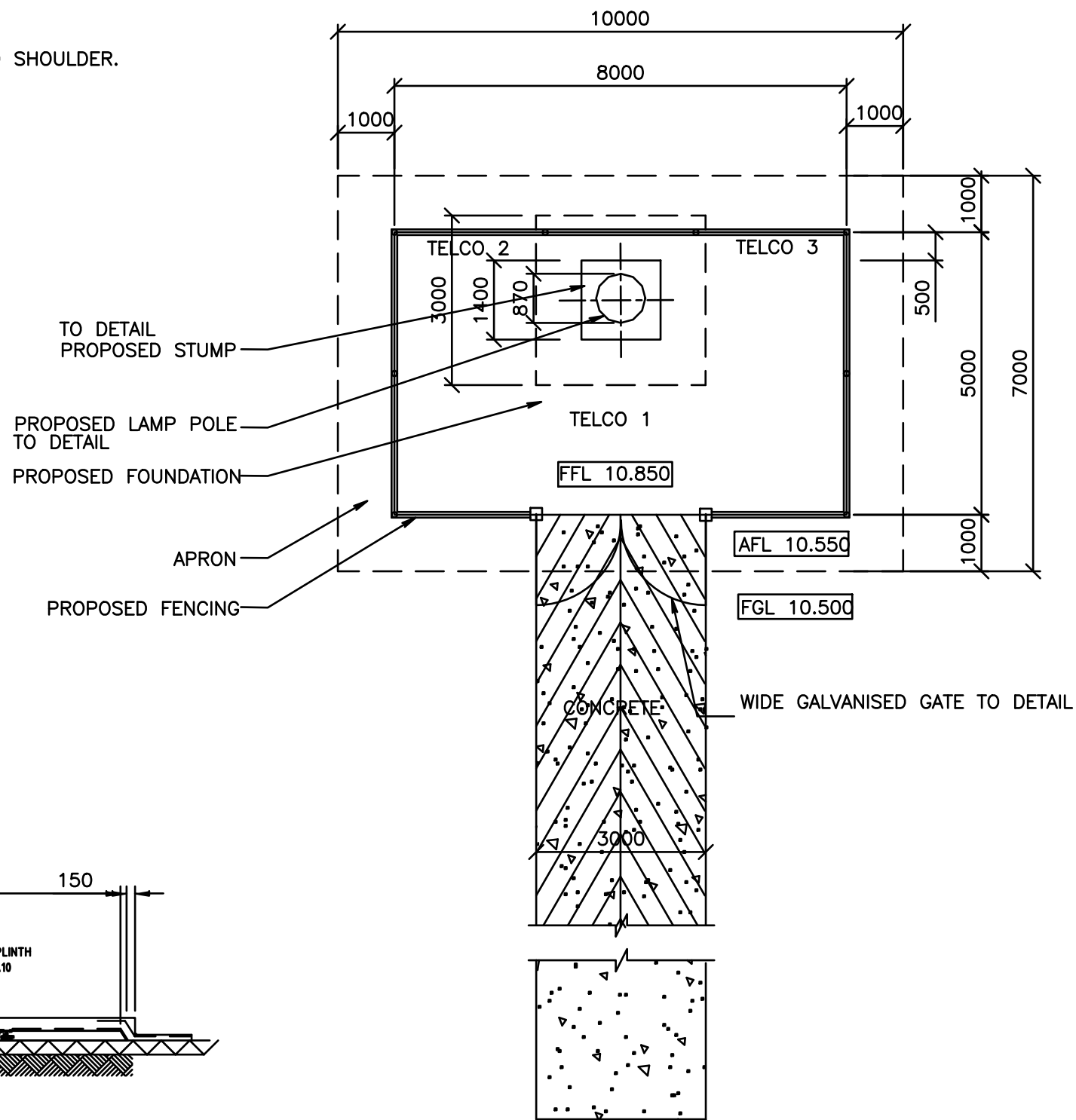
KEY PLAN
 LOCATION PLAN
 SITE LAYOUT PLAN
 SYOR-SYOR BOMBA

DIREKA	NAH	DISEMAK	NH
DILUKIS	MO	DILULUSKAN	IR. NHHM
TARIKH	OGOS 2023	SKALA	1 : 300

NO. LUKISAN :
 NS/ALSB/02/19-23/BKAD/LP30/PMW/C/01

NOTE:

1. ACTUAL SETTING OUT TO BE ASCERTAINED ON SITE.
2. THE OUTFALL POSITION MAY BE SHIFTED TO SUIT SITE CONDITION.
3. LEVEL AT THE MAIN ENTRANCE GATE TO BE FLUSH WITH EXISTING ROAD SHOULDER.
4. ALL SLOPE SHALL BE AS FALLOW:
CUT SLOPE :- 1[V] : 1.5[H]
FILL SLOPE :- 1[V] : 2[H]
5. ADJ. ON SITE TO COINCIDE WITH CLIMBING LADDER POSITION
6. POWER & SIGNAL CABLE TO RUN IN SEPARATE G.I DUCT
7. MAIN GATE POLES AND ALL 4 CORNERS INCLUDING EVERY ALTERNATE FENCING POLES SHALL BE BONDED TO THE PERIMETER COPPER TAPE USING 50mm sq. PVC COPPER CABLE
8. ALL EXPOSED COPPER EARTH CABLE OR TAPE MUST BE RUN IN G.I CONDUIT
9. A DRAIN PIPE SHALL BE PROVIDED FOR THE ELECTRICAL PIT IN THE CABIN TO DRAIN OFF ANY WATER COLLECTED IN THE PIT
10. INSPECTION PIT COVER SHALL BE HOT DIPPED GALVANISED CHEQUER PLATE WITH HEAVY DUTY HINGE



RC PLINTH DETAIL
SCALE 1: 50

NOTA

OPERATOR :



MAXIS BROADBOND SDN BHD
LEVEL 4A, MENARA SUNWAY ANNEXE
JALAN LAGUN TIMUR, BANDAR SUNWAY
46150 PETALING JAYA, SELANGOR

PEMILIK



INFRA QUEST SDN BHD
Lot 1045, Jalan Duta' Landang,
10250 Kuala Lumpur, Wilayah Persekutuan.
Tel : 03-7414383 Fax : 03-7414388

PROJEK

CADANGAN MEMBINA DAN MENYAPKAN
'LAMP POLE' SETINGGI 30 METER DI ATAS
LOT 1019, KG. CHENDERONG BATU,
MUKIM CHENDERONG BATU, DAERAH WAKAF BHARU,
JAJAHAN TUMPAT, KELANTAN
UNTUK TETUAN INFRA QUEST SDN. BHD.
[TAMAN KEBAKAT (BKAD)]

JURUTERA SIVIL & STRUKTUR

PT 110, JALAN TINGGI, JALAN TINGGI, JALAN TINGGI, JALAN TINGGI
KELANTAN DAERAH WAKAF BHARU, JAJAHAN TUMPAT, KELANTAN
TEL NO. : 09-746 3889
FAX NO. : 09-746 3888
Email : mamas@infraquest.com

I hereby certify that these works have been design by me in accordance with sound engineering practice and that I take full responsibility for the design and proper performance of the same.

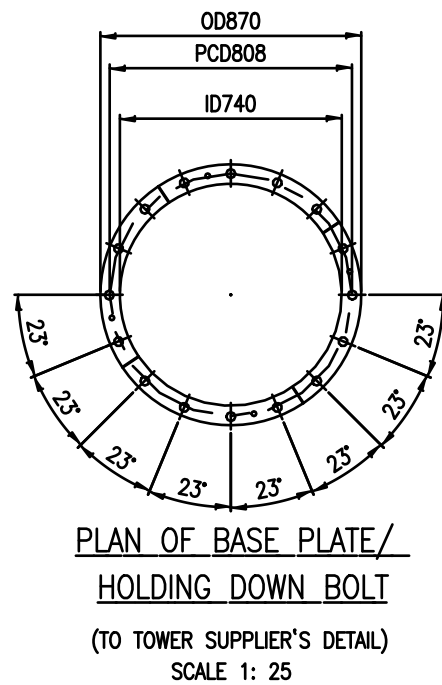
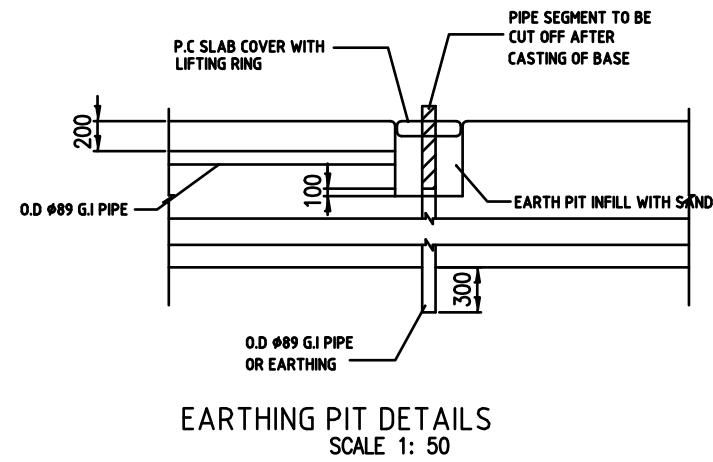
IR. NIK HASHI BIN NIK MAHMUD
Adv. Eng. C. Eng. (UKM)
P. Eng. MIEA.

TAJUK LUKISAN

CONCRETE BASE PLAN
PLINTH DETAIL

DIREKA	NAH	DISEMAK	NH
DILUKIS	MO	DILULUSKAN	IR. NHHM
TARIKH	OGOS 2023	SKALA	1 : 75

NO. LUKISAN :
NS/ALSB/02/19-23/BKAD/LP30/PMW/C/02

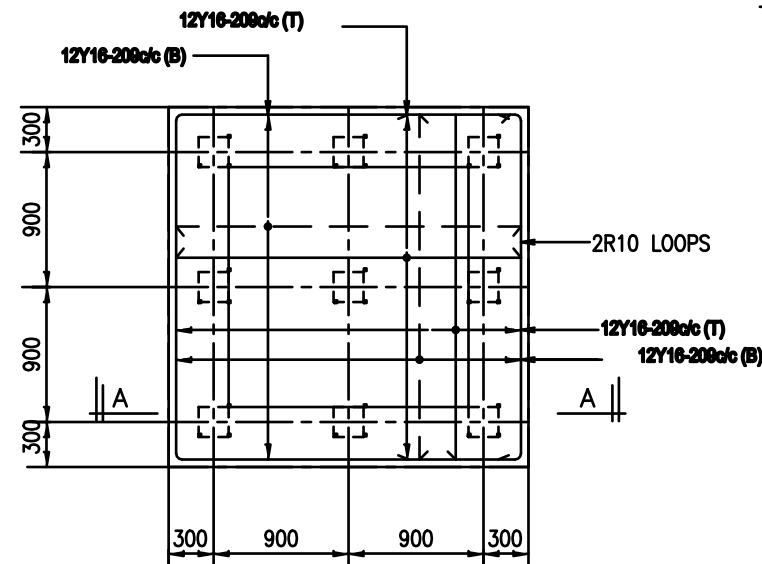
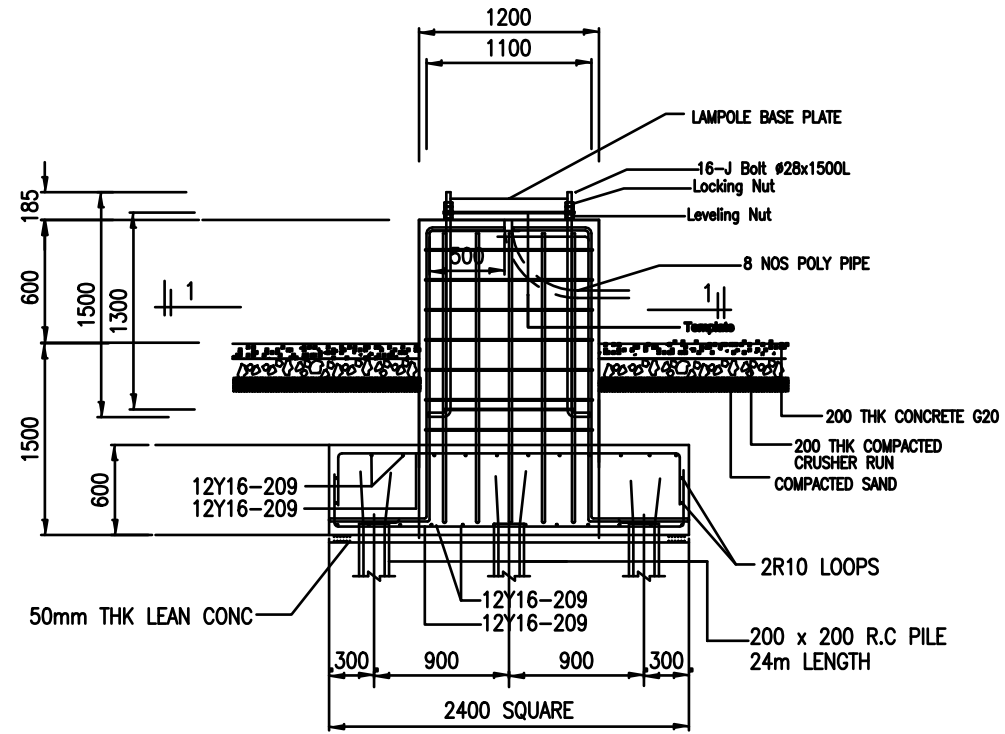
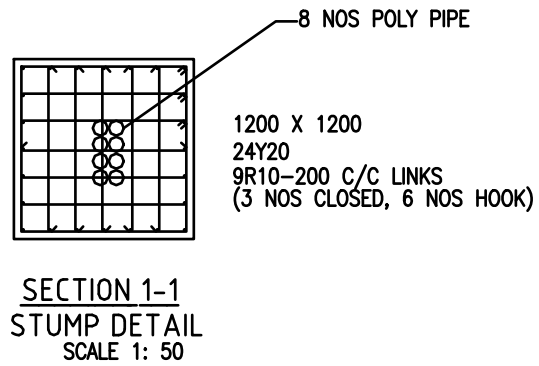


TOWER LOADING

MAX. SHEAR LOAD = 17.1kN
 MAX. AXIAL LOAD = 106.8kN
 MAX. BENDING@BASE = 360.0kNm

SOIL BEARING CAPACITY

FOR DESIGN PERPOSES ALLOWABLE SOIL BEARING CAPACITY IS TAKEN AS 100 KN/sm



- NOTE**
- ALL DIMENSIONS ARE IN MILLIMETER (MM) UNLESS STATED OTHERWISE
 - ONLY FIGURED SHALL DIMENSIONS ARE TO BE USED.
 - CONTRACTOR SHALL VERIFY ALL DIMENSIONS AND ANY DISCREPANCY SHALL NOTIFY THE ENGINEER IMMEDIATELY PRIOR TO CONSTRUCTION
- 4. REINFORCED CONCRETE**
- REINFORCED CONCRETE MIX TO BE GRADE 30 AND SHALL HAVE A MINIMUM CRUSHING STRENGTH OF 30 N/mm² AT 28 DAYS AS PER B.S 8110.
 - ALL LEAN CONCRETE SHALL BE 1:3:6 MIX AND PROVIDE AS FOLLOWS : FOOTING : 50MM
 - COARSE AND FINE AGGREGATE SHALL COMPLY TO B.S 882
 - PORTLAND CEMENT USED SHALL COMPLY TO B.S 12
 - NOMINAL AGGREGATE SIZE TO BE 20mm
 - CONCRETE COVER TO ALL REINFORCEMENTS AS FOLLOWS: PILECAP & FOUNDATION -75 mm .
 - ALL REINFORCED CONCRETE SHALL BE PROPERLY VIBRATED WITH SUITABLE MECHANICAL VIBRATOR.
 - UNLESS OTHERWISE STATED MINIMUM LAP LENGTH SHALL BE:

	COMPRESSION	TENSION
MILD. STEEL	40 D	55 D
H.T. STEEL	40 D	55 D

- 5. REINFORCEMENT TO BS 4449 : 1978/ MS 146 : 1988**
- Y - HIGH TENSILE ROUND DEFORMED BAR (F_y = 500 N/SQ.MM.)
- R - MILD STEEL PLAN ROUND BAR (F_y = 250N/SQ.MM.)

NOTA

OPERATOR :

maxis

MAXIS BROADBOND SDN BHD
 LEVEL 4A, MENARA SUNWAY ANNEXE
 JALAN LAGUN TIMUR, BANDAR SUNWAY
 46150 PETALING JAYA, SELANGOR

PEMILIK

INFRA QUEST SDN BHD
 Lot 1045, Jalan Duta' Lampung,
 10250 Kuala Lumpur, Selangor Darul Ehsan.
 Tel : 03-7414383 Fax : 03-7414388

PROJEK

CADANGAN MEMBINA DAN MENYAPKAN 'LAMP POLE' SETINGGI 30 METER DI ATAS LOT 1019, KG. CHENDERONGH BATU, MUKIM CHENDERONG BATU, DAERAH WAKAF BHARU, JAJAHAN TUMPAT, KELANTAN UNTUK TETUAN INFRA QUEST SDN. BHD. [TAMAN KEBAKAT (BKAD)]

JURUTERA SIVIL & STRUKTUR

PT 110, TINGKAT 5, JALAN TELUK ANSON, KUALA LUMPUR
 50050 SARA MANGKAP, SELANGOR DARUL EHSAN
 TEL. NO. : 03-7463889
 FAKS NO. : 03-7463890
 Email : m.mahmud@infraquest.com

I hereby certify that these works have been design by me in accordance with sound engineering practice and that I take full responsibility for the design and proper performance of the same

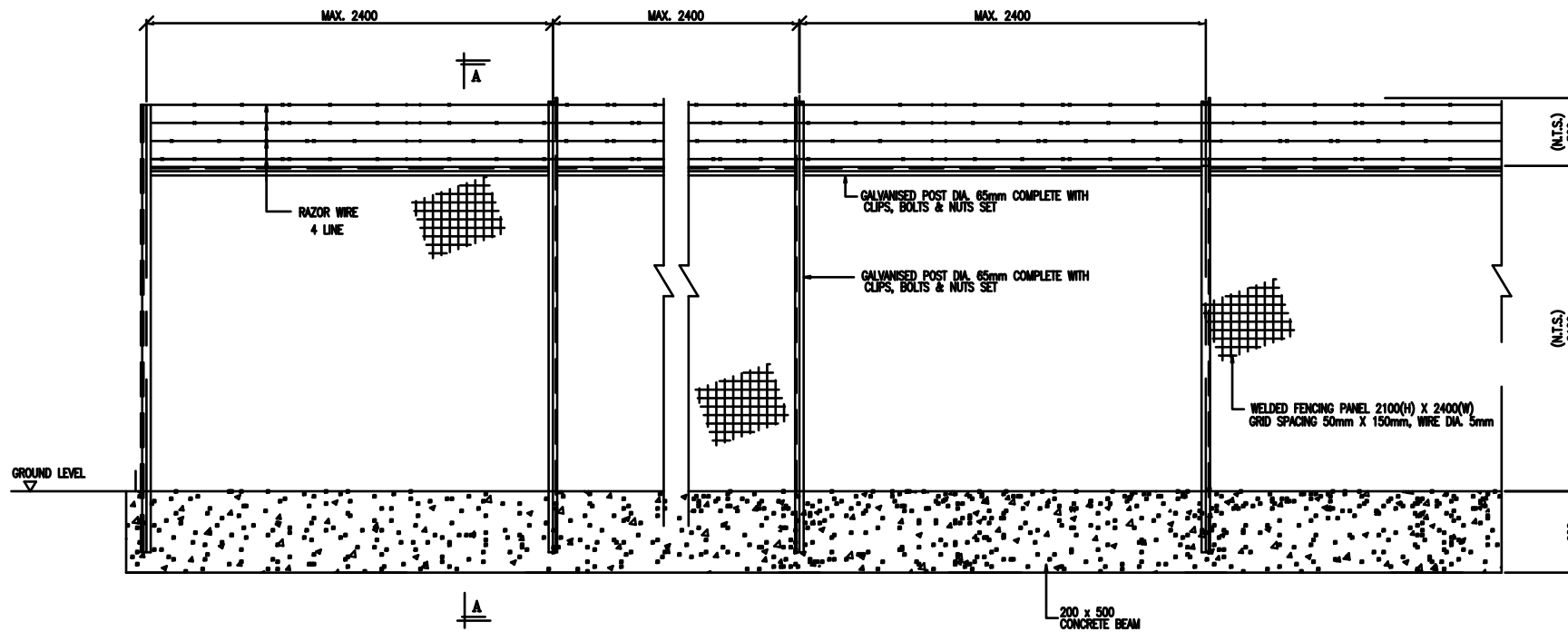
IR. NIK HASHI BIN NIK MAHMUD
 Adv. Eng. C. Eng. (UKM)
 P. Eng. M.I.E.S.A.

TAJUK LUKISAN

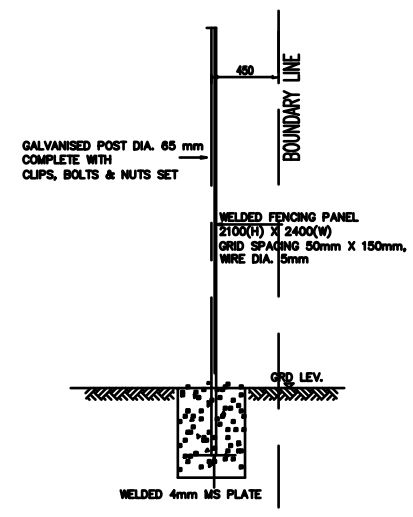
FOUNDATION PILING AND FOOTING LAYOUT PILECAP DETAIL

DIREKA	NAH	DISEMAK	NH
DILUKIS	MO	DILLULUSKAN	IR. NPHM
TARIKH	OGOS 2023	SKALA	1 : 75

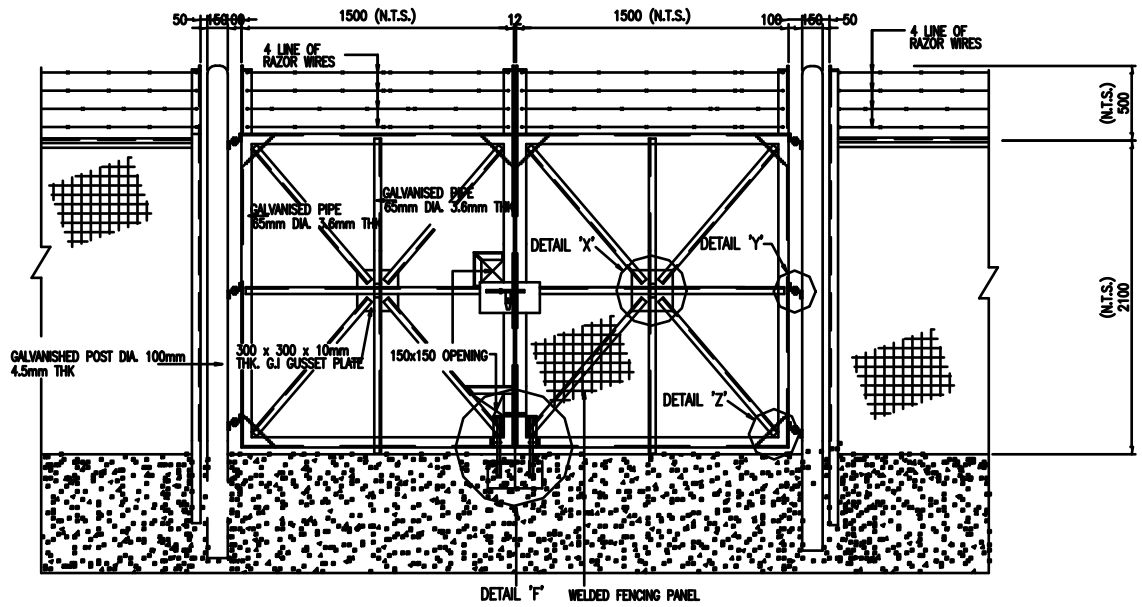
NO. LUKISAN :
 NS/ALSB/02/19-23/BKAD/LP30/PMW/C/03



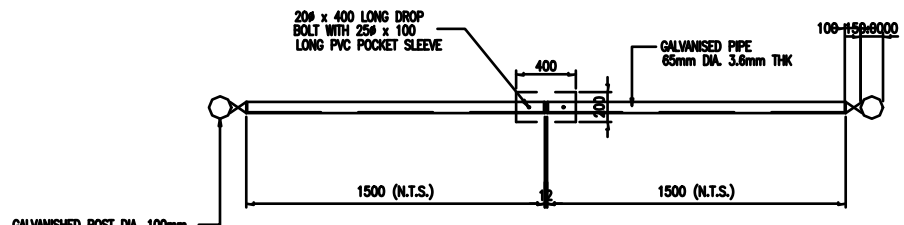
DETAILS OF WELDED FENCING PANEL
SCALE 1:50



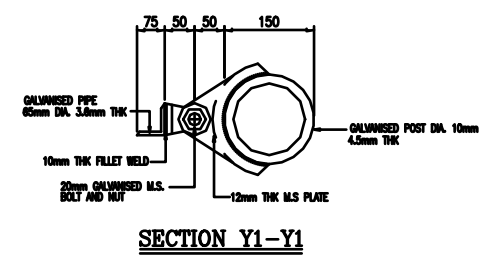
SECTION A-A
SCALE 1:40



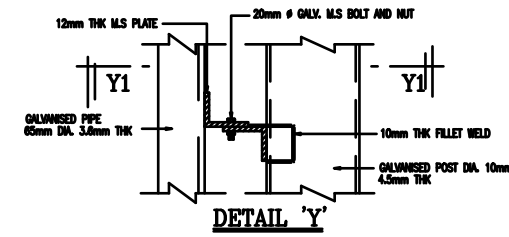
ELEVATION OF 3000mm WIDE GALVANISED GATE



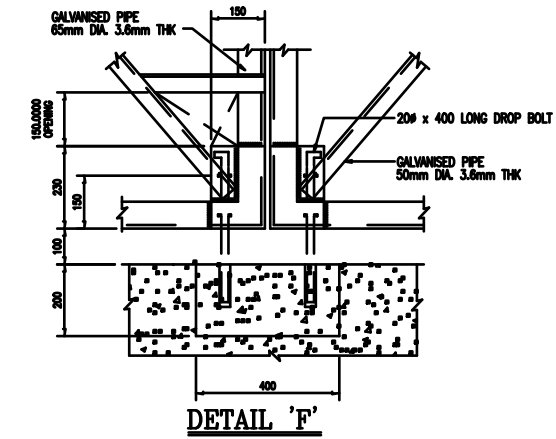
PLAN OF 3000mm WIDE GALVANISED GATE



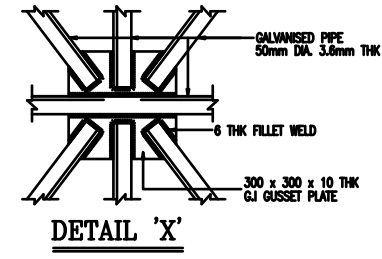
SECTION Y1-Y1



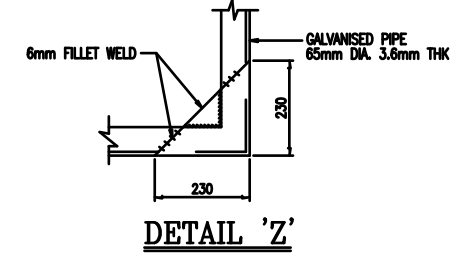
DETAIL 'Y'



DETAIL 'F'



DETAIL 'X'



DETAIL 'Z'

NOTA

OPERATOR :

MAXIS BROADBOND SDN BHD
LEVEL 4A, MENARA SUNWAY ANNEXE
JALAN LAGUN TIMUR, BANDAR SUNWAY
46150 PETALING JAYA, SELANGOR

PEMLIK

INFRA QUEST SDN BHD
Lot 1045, Jalan Duta' Lintang,
10250 Kuala Lumpur, Selatan Daruloh.
Tel : 03-7414383 Fax : 03-7414389

PROJEK

CADANGAN MEMBINA DAN MENYIAPKAN
'LAMP POLE' SETINGGI 30 METER DI ATAS
LOT 1019, KG. CHENDERONG BATU,
MUKIM CHENDERONG BATU, DAERAH WAKAF BHARU,
JAJAHAN TUMPAT, KELANTAN
UNTUK TETUAN INFRA QUEST SDN. BHD.
[TAMAN KEBAKAT (BKAD)]

JURUTERA SIVIL & STRUKTUR

PT 110, TINGKAT 5, JALAN TELUKOK, KUALA BENDUNG
18000 BERAH, MELAKA
TEL. NO. : 09-746 3889
FAX NO. : 09-746 0560
Email : m.mahmud@infraquest.com

I hereby certify that these works have been design by me in accordance
with sound engineering practice and that I take full responsibility
for the design and proper performance of the same

IR. NIK HASHI BIN NIK MAHMUD
Adv. Eng. C. Eng. (UKM)
P. Eng. M.I.E.S.A.

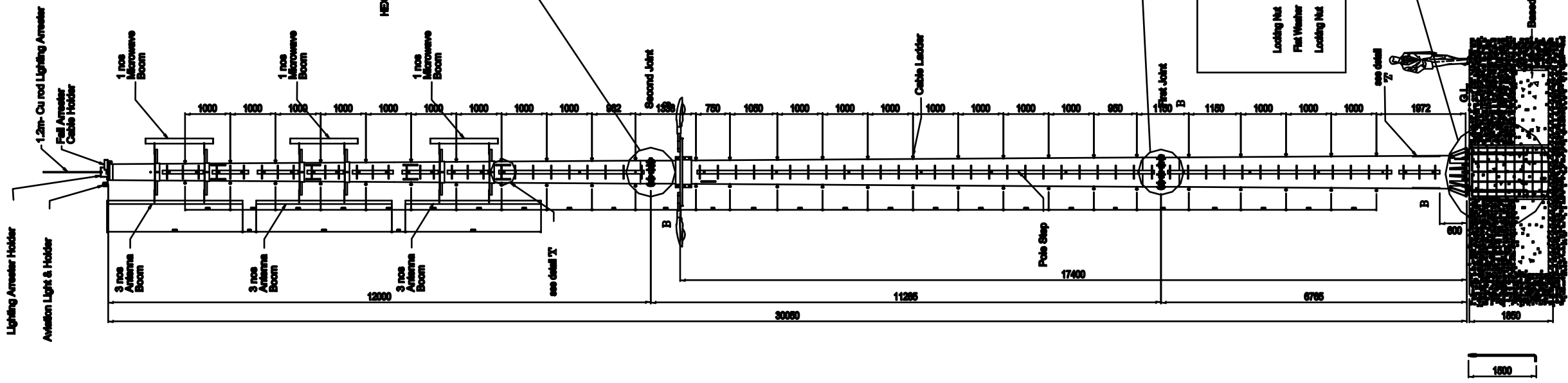
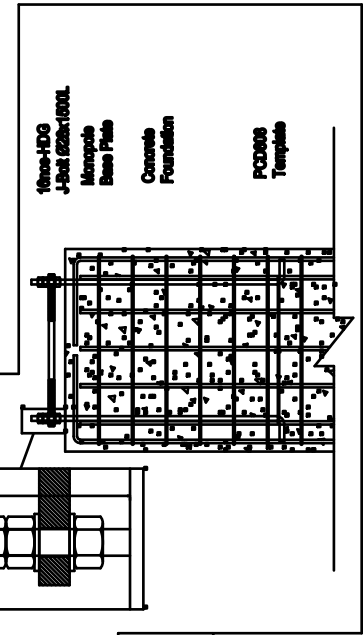
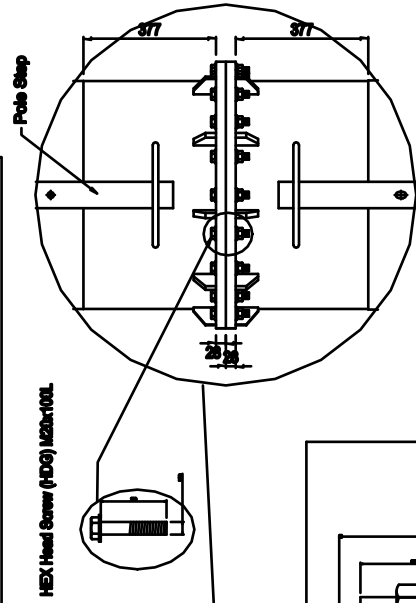
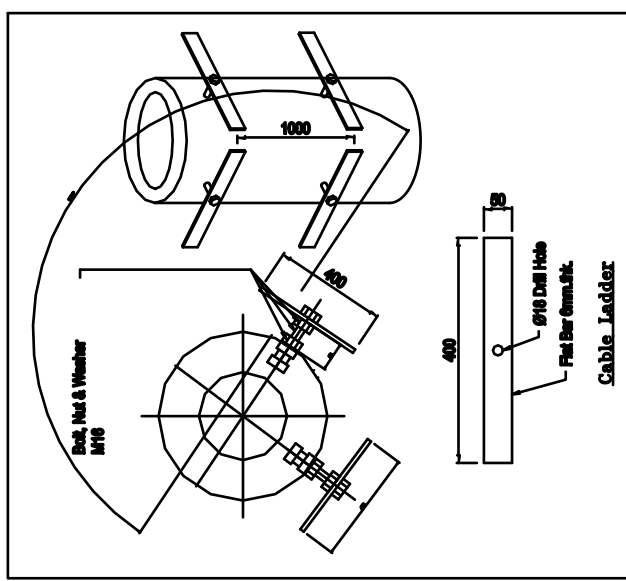
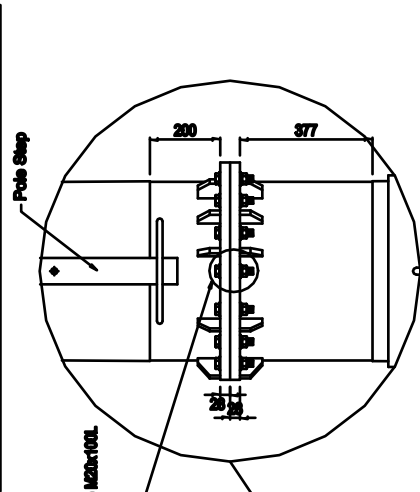
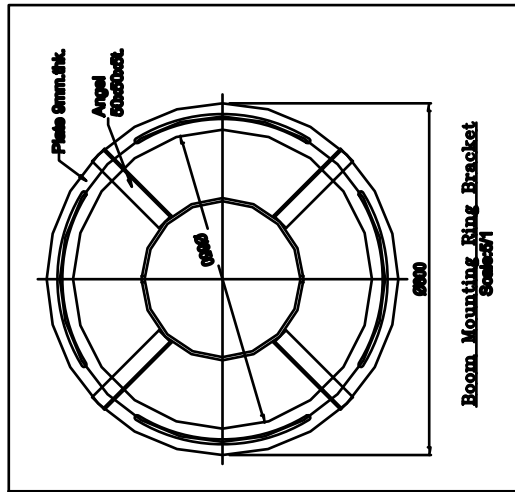
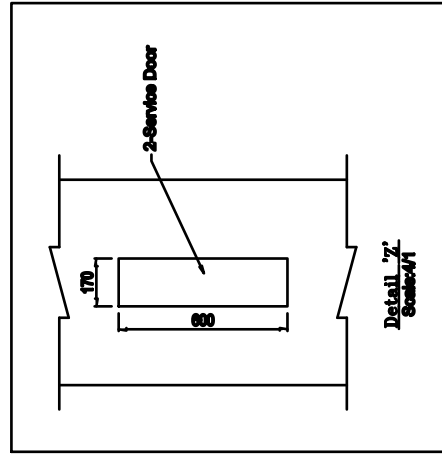
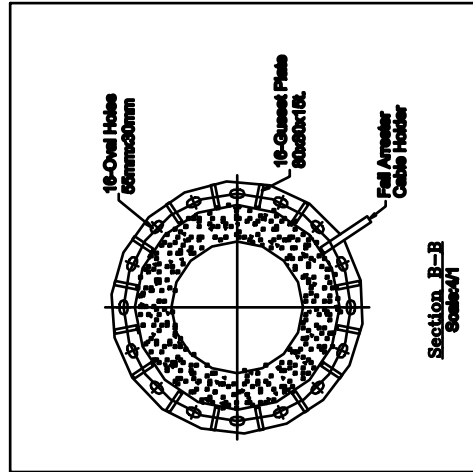
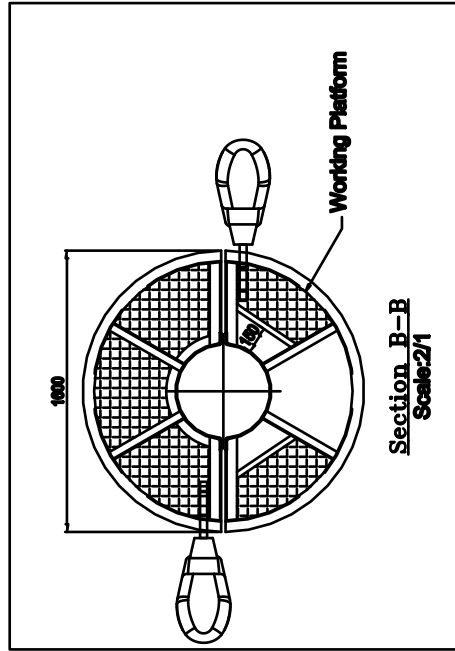
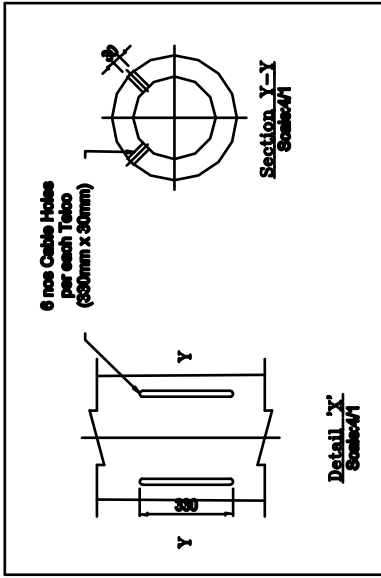
TAJUK LUKISAN

TYPICAL FENCING ANG GATE DETAILS

DIREKA	NAH	DISEMAK	NH
DILUKIS	MO	DILULUSKAN	IR. NHHM
TARIKH	OGOS 2023	SKALA	1 : 75

NO. LUKISAN :
NS/ALSB/02/19-23/BKAD/LP30/PMW/C/04

- NOTE:**
- DESIGN CRITERIA**
 - : 3 NOS. MICROWAVE DISH
 - : 9 NOS. FLAT ANTENNA
 - POLE DESIGN**
 - : 3 NOS. POLE SEGMENT
 - : 2 NOS. POLE JOINT
 - TAPER**
 - : 1/75
 - TOP DIAMETER**
 - : 300 MM
 - MATERIAL**
 - CONCRETE GRADE : G80
 - PC BAR : 400 MPa
 - BASE PLATE STRENGTH : 400 MPa
 - J-BOLT GRADE : 8.8



ELAVATION

NOTA

OPERATOR :

maxis

MAXIS BROADBOND SDN BHD
LEVEL 4A, MENARA SUNWAY ANNEXE
JALAN LAGUN TIMUR, BANDAR SUNWAY
46150 PETALING JAYA, SELANGOR

PEMLIK

INFRA QUEST SDN BHD
Lot 1045, Jalan Batu Lintang,
10200 Batu Lintang, Kelantan Darul Amanah.
Tel : 08-7414383 Fax : 08-7414388

PROJEK

CADANGAN MEMBINA DAN MENYIAPKAN
'LAMP POLE' SETINGGI 30 METER DI ATAS
LOT 1019, KG. CHENDERONG BATU,
MUKIM CHENDERONG BATU, DAERAH WAKAF BHARU,
JAJAHAN TUMPAT, KELANTAN
UNTUK TETUAN INFRA QUEST SDN. BHD.
[TAMAN KEBAKAT (BKAD)]

JURUTERA SIVIL & STRUKTUR

PT 110, JINDEKAT 5, JALAN BUKIT MELAKA, MELAKA
15000 MELAKA, MELAKA
TEL. NO. : 09-745 2889
FAX NO. : 09-745 0540
Email : maha@infraquest.com

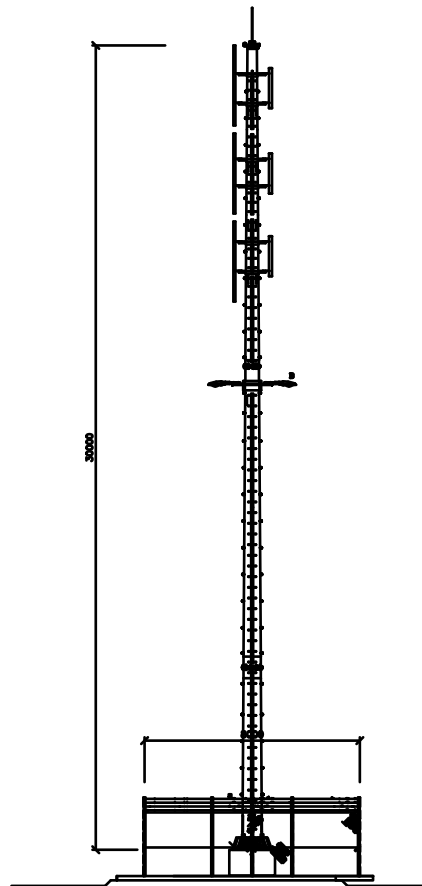
IR. NIK HASHI BIN NIK MAHMUD
Adv. Eng. C. Eng. (UKM),
P. Eng. MIRA.

TAJUK LUKISAN

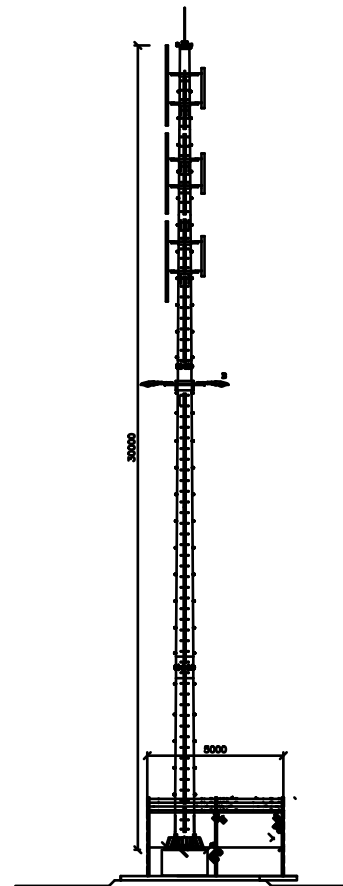
PRESTRESSED
SPUN CONCRETE
POLE

DIREKA	NAH	DISEMAK	NH
DILUKIS	MO	DILULUSKAN	IR. NPHM
TARIKH	OGOS 2023	SKALA	1 : 75

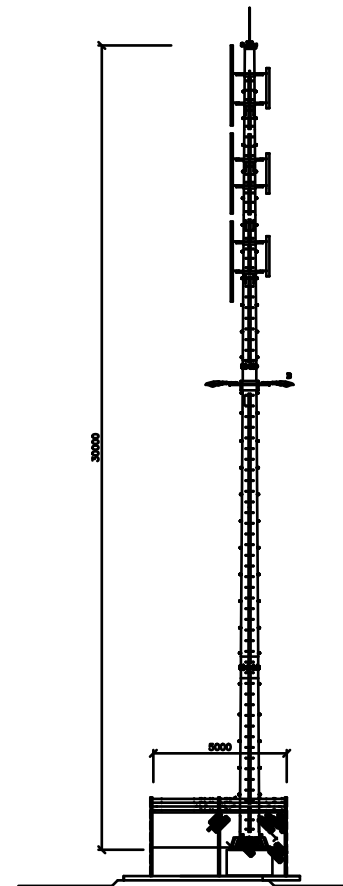
NO. LUKISAN :
NS/ALSB/02/19-23/BKAD/LP30/PMW/S/01



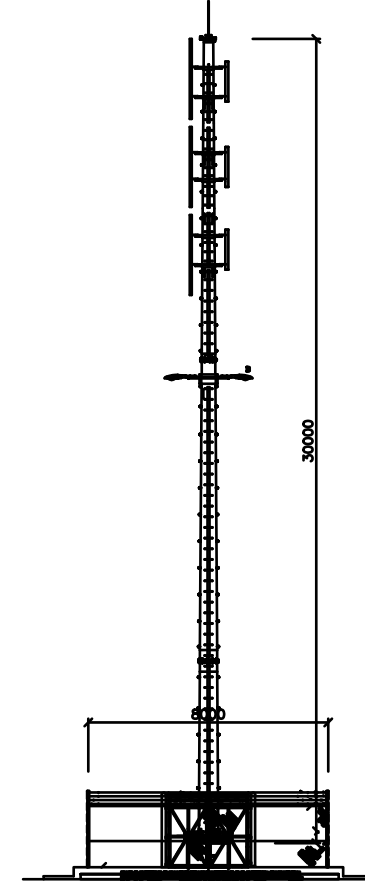
REAR ELEVATION
SCALE 1:250



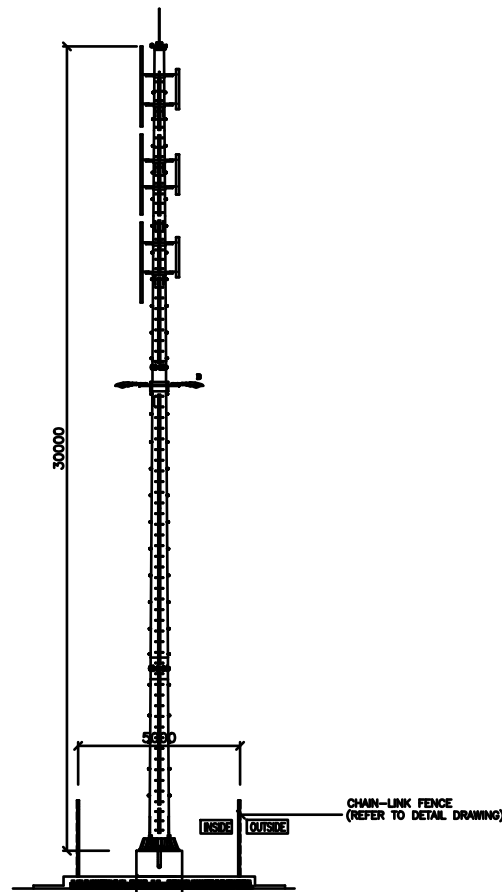
RIGHT ELEVATION
SCALE 1:250



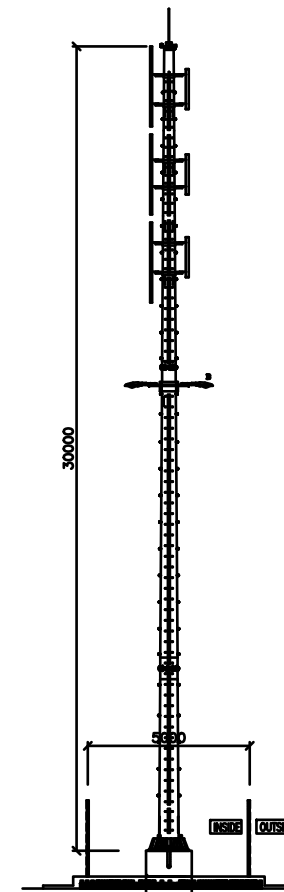
LEFT ELEVATION
SCALE 1:250



FRONT ELEVATION
SCALE 1:250



SECTION B-B
SCALE 1:125



SECTION B-B
SCALE 1:125

NOTA

OPERATOR :



MAXIS BROADBOND SDN BHD
LEVEL 4A, MENARA SUNWAY ANNEXE
JALAN LAGUN TIMUR, BANDAR SUNWAY
46150 PETALING JAYA, SELANGOR

PEMILIK



INFRA QUEST SDN BHD
Lot 1045, Jalan Duta' Lintang,
10250 Kuala Lumpur, Wilayah Persekutuan.
Tel : 03-7414383 Fax : 03-7414388

PROJEK

CADANGAN MEMBINA DAN MENYIAPKAN
'LAMP POLE' SETINGGI 30 METER DI ATAS
LOT 1019, KG. CHENDERONG BATU,
MUKIM CHENDERONG BATU, DAERAH WAKAF BHARU,
JAJAHAN TUMPAT, KELANTAN
UNTUK TETUAN INFRA QUEST SDN. BHD.
[TAMAN KEBAKAT (BKAD)]

JURUTERA SIVIL & STRUKTUR

PT 110, JALAN TINGGI 3, JALAN TELUK...
KUALA BUKIT BUKIT...
KELANTAN DARUL NABAH...
TEL NO. : 09-746 3589
FAX NO. : 09-746 0580
Email : mmmaha@infra.com

I hereby certify that these works have been design by me in accordance
with sound engineering practice and that I take full responsibility
for the design and proper performance of the same

IR. NIK HASHI BIN NIK MAHMUD
Adv. Eng. C. Eng. (UKM)
P. Eng. M.I.E.S.A.

TAJUK LUKISAN

ELEVATION AND SECTION DETAIL

DIREKA	NAH	DISEMAK	NH
DILUKIS	MO	DILULUSKAN	IR. NHHM
TARIKH	OGOS 2023	SKALA	1 : 100

NO. LUKISAN :
NS/ALSB/02/19-23/BKAD/LP30/PMW/S/02

LEGEND

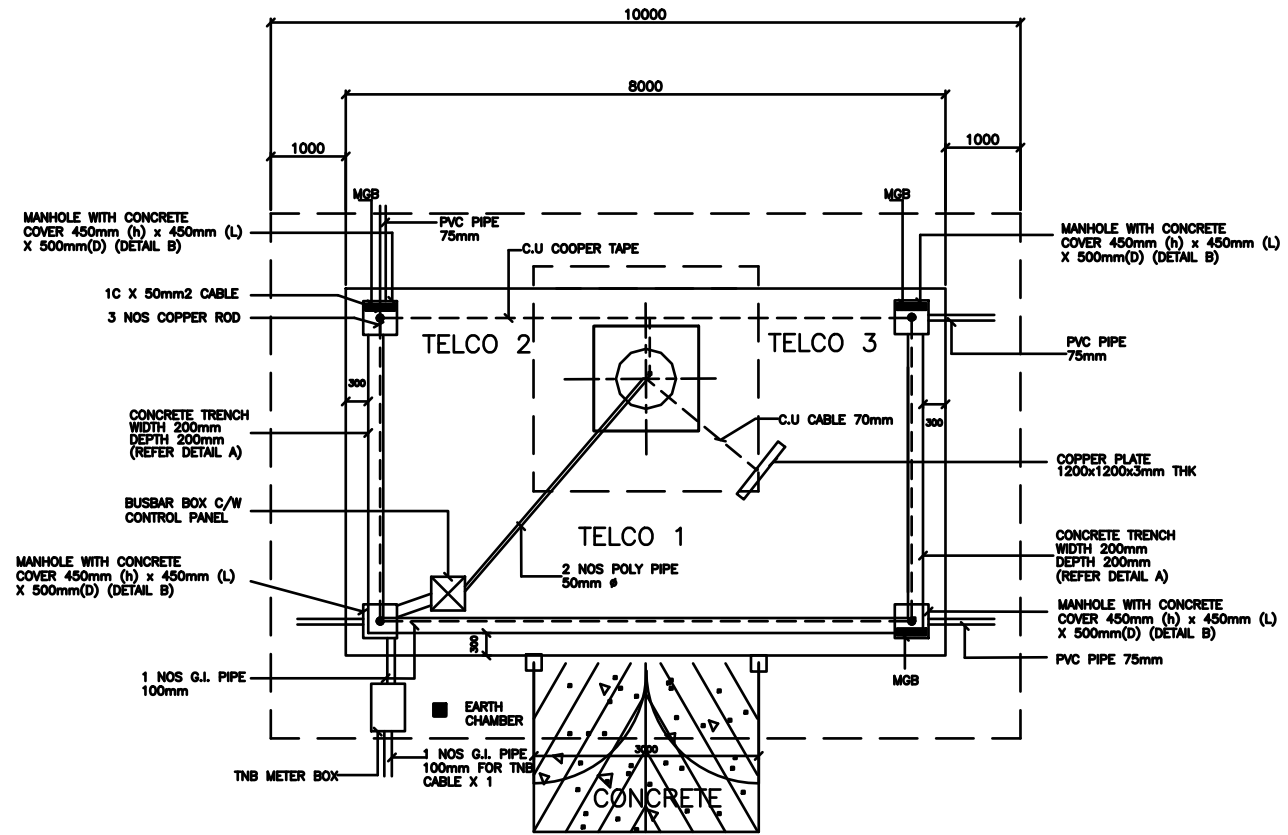
- — G.I PIPE 2 X 75 mm
- — G.I PIPE 1 X 100 mm
- — LONG BOND (2 UNIT)
- C.U COOPER TAPE
- COOPER PLATE 1200X1200X3mm THK
- MGB
- - EARTH CHAMBER
- - INTERMIDIED CALDWELD
- - 450mm x 450mm c/w P.C SLAB COVER

NOTE :

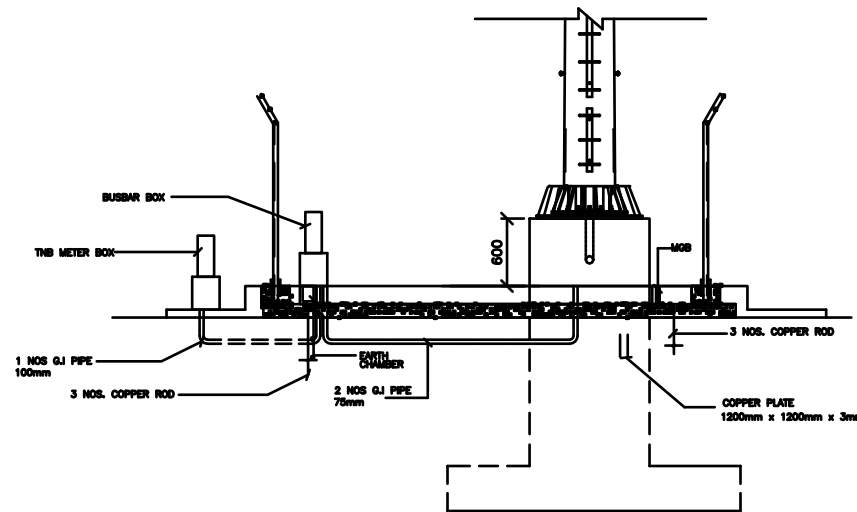
NO.	ITEMS	TOTAL
1.	MGB	8 NOS.
2.	MGB COVER	3 NOS.
3.	GREEN CABLE	3M
4.	CABLED	7 NOS.
5.	CHAMBER	4 NOS.
6.	COPPER TAPE	28 M
7.	COPPER PLATE 1200mm x 1200mm x 3mm	1 NOS.
8.	3C x 2.5mm ² (MOD CABLE)	28M
9.	4C x 1.5mm ² (SB/PVC CABLE)	30M
10.	4C x 2.5mm ² (MOD CABLE)	18M
11.	1C x 50mm ² (CABLE)	2M
12.	OBSTRUCTION LIGHT	1 NOS(MODEL AVAILABLE U - 3272)
13.	1C x 50mm ² STEEL WIREB RELEASE COMPLETE WITH G.I.P	40M

NOTE

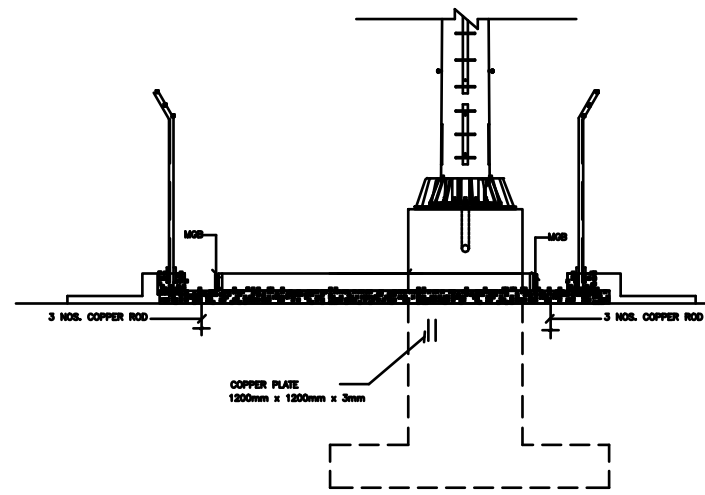
1. ALL DIMENSIONS ARE IN MILLIMETER (MM) UNLESS STATED OTHERWISE
2. POWER & SIGNAL CABLE TO RUN IN SEPARATE G.I DUCT
3. ALL EXPOSED COOPER EARTH CABLE OR TAPE MUST BE RUN IN G.I PIPE
4. A DRAIN PIPE SHALL BE PROVIDED FOR THE ELECTRICAL PIT IN THE CABIN TO DRAIN OFF ANY WATER COLLECTED IN THE PIT
5. INSPECTION PIT COVER SHALL BE DIPPED GALVANISED CHEQUER PLATE WITH HEAVY DUTY HINGE



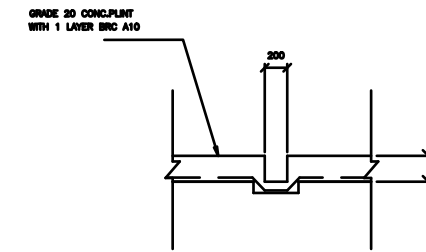
PLAN VIEW
SCALE 1:75



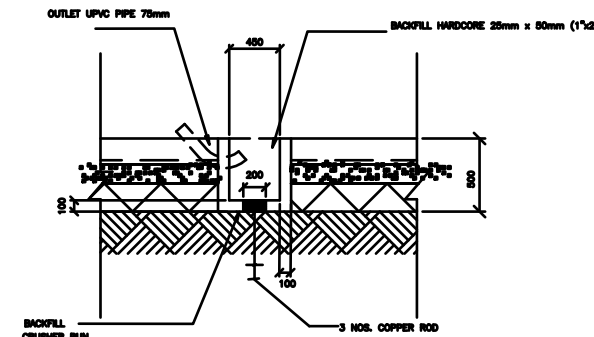
SIDE ELEVATION 'B'
SCALE 1:75



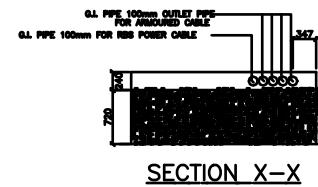
SIDE ELEVATION 'A'
SCALE 1:75



CONCRETE TRENCH
DETAIL A
SCALE 1:75




OUTLET PIPE FOR CABLE
DETAIL B
SCALE 1:75



SECTION X-X

NOTA


OPERATOR :



maxis

MAXIS BROADBOND SDN BHD
LEVEL 4A, MENARA SUNWAY ANNEXE
JALAN LAGUN TIMUR, BANDAR SUNWAY
46150 PETALING JAYA, SELANGOR

PEMLIK



INFRA QUEST SDN BHD
Lot 1045, Jalan Bole' Lintang,
10200 Kuala Lumpur, Malaysia
Tel : 03-7414383 Fax : 03-7414388

PROJEK

CADANGAN MEMBINA DAN MENYAPKAN
'LAMP POLE' SETINGGI 30 METER DI ATAS
LOT 1019, KG. CHENDERONG BATU,
MUKIM CHENDERONG BATU, DAERAH WAKAF BHARU,
JAJAHAN TUMPAT, KELANTAN
UNTUK TETUAN INFRA QUEST SDN. BHD.
[TAMAN KEBAKAT (BKAD)]

JURUTERA SIVIL & STRUKTUR

PT 110, TINGKAT 5, JALAN TELUK...
18000 SORA BHARA, KUALA BUKIT UBUH, NEGERI SEMBILAN
KELANTAN DARUL HAJAH. www.infraquest.com
TEL NO. : 09-745 2889
FAX NO. : 09-745 0580
Email : infraquest@infraquest.com

I hereby certify that these works have been design by me in accordance
with sound engineering practice and that I take full responsibility
for the design and proper performance of the same.

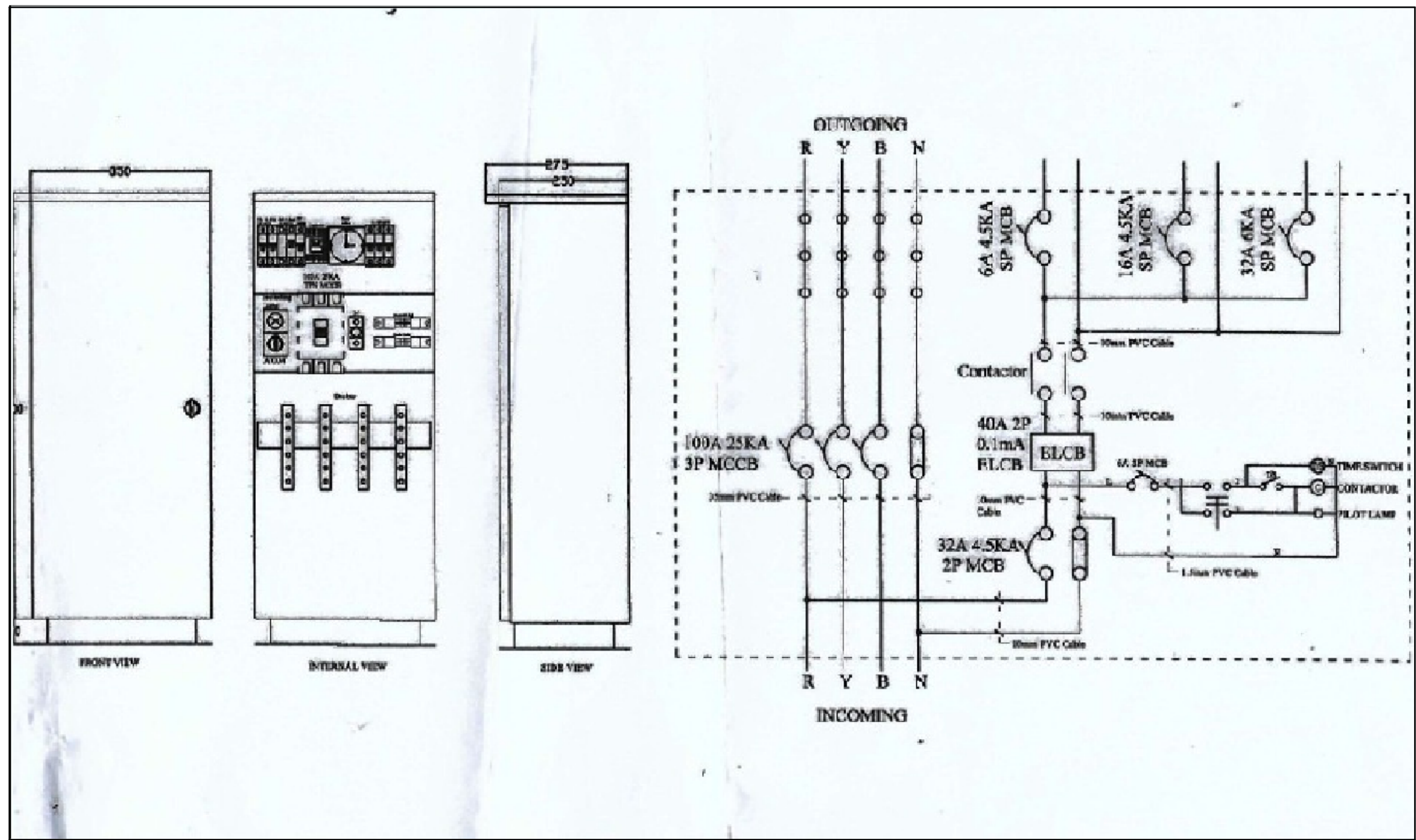
IR. NIK HASHI BIN NIK MAHMOUD
Adv. Eng. C. Eng. (UKM),
P. Eng. MIEAEE.

TAJUK LUKISAN

ELECTRICAL LAYOUT PLAN
EARTHING LAYOUT PLAN

DIREKA	NAH	DISEMAK	NH
DILUKIS	MO	DILULUSKAN	IR. NHHM
TARIKH	OGOS 2023	SKALA	1 : 75

NO. LUKISAN :
NS/ALSB/02/19-23/BKAD/LP30/PMW/E/01



DISTRIBUTION BOX DETAIL AND SCHEMCATIC DIAGRAM

NOTA

OPERATOR :



MAXIS BROADBOND SDN BHD
LEVEL 4A, MENARA SUNWAY ANNEXE
JALAN LAGUN TIMUR, BANDAR SUNWAY
46150 PETALING JAYA, SELANGOR

PEMLIK



INFRA QUEST SDN BHD
Lot 1049, Jalan Batu Lintang,
10250 Batu Lintang, Kelantan Darul Amanah.
Tel : 09-7414383 Fax : 09-7414389

PROJEK

CADANGAN MEMBINA DAN MENYAPKAN
'LAMP POLE' SETINGGI 30 METER DI ATAS
LOT 1019, KG. CHENDERONG BATU,
MUKIM CHENDERONG BATU, DAERAH WAKAF BHARU,
JAJAHAN TUMPAT, KELANTAN
UNTUK TETUAN INFRA QUEST SDN. BHD.
[TAMAN KEBAKAT (BKAD)]

JURUTERA SIVIL & STRUKTUR

PT 116, TINGKAT 5, JALAN WISMA, KUALA BENDUNG
18000 BUKIT MELAKA, MELAKA DARUL MAHA
TEL NO. : 09-746 2889
FAX NO. : 09-746 0560
Email : mmmsh@pand.com

I hereby certify that these works have been design by me in accordance
with sound engineering practice and that I take full responsibility
for the design and proper performance of the same

IR. NIK HASHI BIN NIK MAHMUD
Adv. Engr. C. Eng. (SM),
P. Eng. M.Eng.

TAJUK LUKISAN

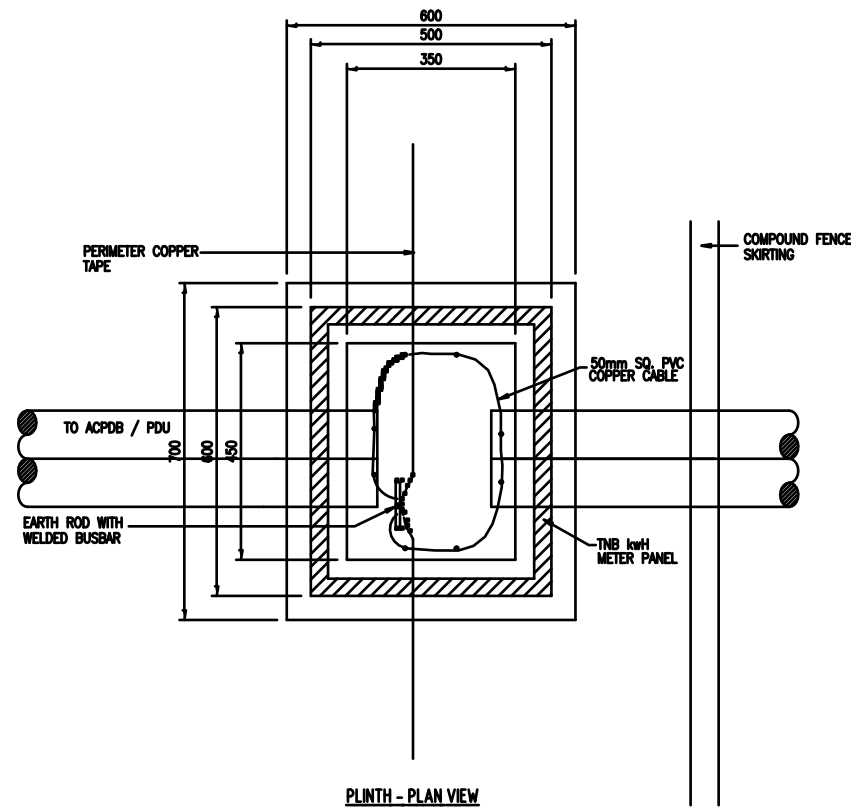
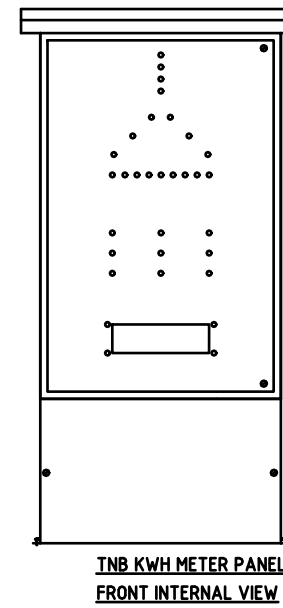
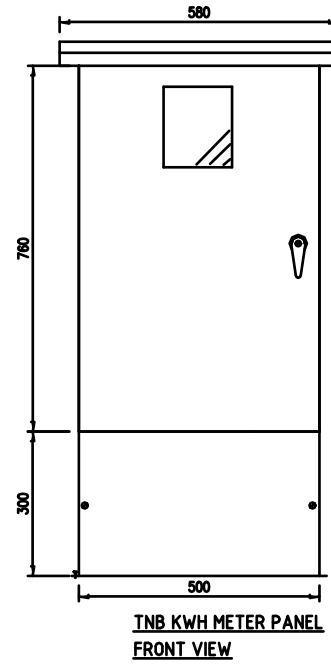
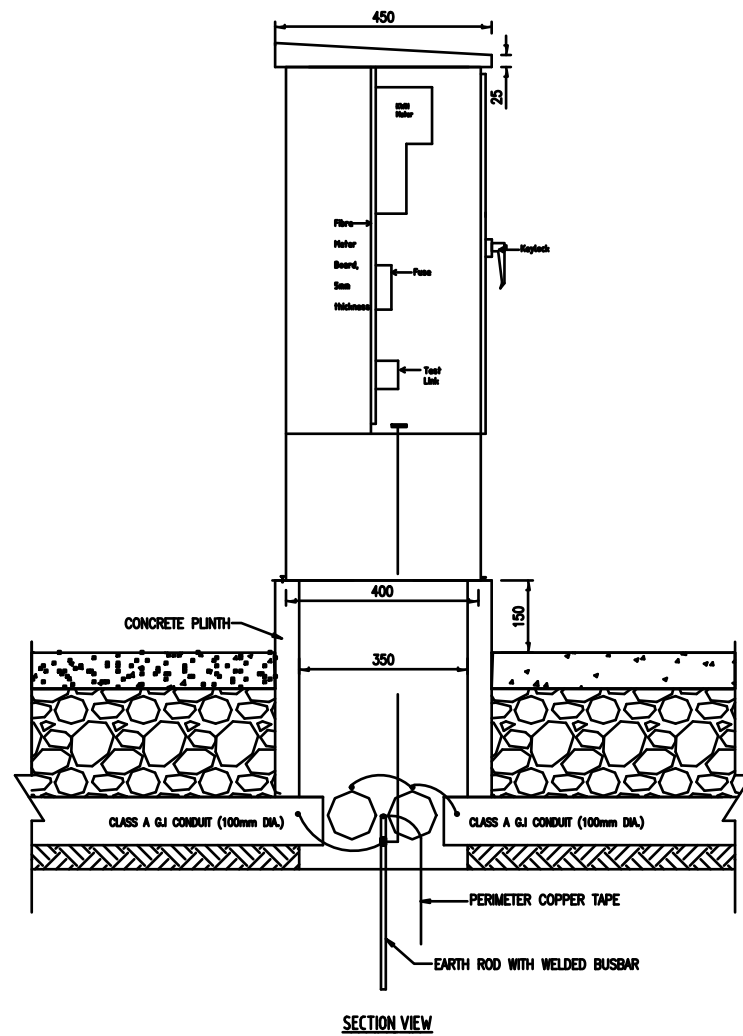
DISTRIBUTION BOX DETAIL
AND SCHEMCATIC DIAGRAM

DIREKA	NAH	DISEMAK	NH
DILUKIS	MO	DILULUSKAN	IR. NHHM
TARIKH	OGOS 2023	SKALA	1 : 75

NO. LUKISAN :
NS/ALSB/02/19-23/BKAD/LP30/PMW/E/02

NOTES:

- 1) ALL INSPECTION PITS ARE TO BE SAND FILLED ONCE TESTING AND COMMISSIONING IS ACCEPTED
- 2) PERIMETER COPPER TAPE : 25mm x 3mm
- 3) EARTH ROD : 16mm dia. @ 5486 DEPTH
- 4) BUSBAR WELDED TO ROD : 120mm x 25 x 5mm THK. C/W 4 HOLES AND STAINLESS STEEL BOLT & NUT
- 5) ALL DIMENSIONS ARE IN MILLIMETERS UNLESS OTHERWISE STATED.



NOTA

OPERATOR :



MAXIS BROADBOND SDN BHD
LEVEL 4A, MENARA SUNWAY ANNEXE
JALAN LAGUN TIMUR, BANDAR SUNWAY
46150 PETALING JAYA, SELANGOR

PEMILIK



INFRA QUEST SDN BHD
Lot 1046, Jalan Duta' Lembang,
15200 Kluang, Johor Bahru.
Tel : 06-7414383 Fax : 06-7414388

PROJEK

CADANGAN MEMBINA DAN MENYIAPKAN
'LAMP POLE' SETINGGI 30 METER DI ATAS
LOT 1019, KG. CHENDERONG BATU,
MUKIM CHENDERONG BATU, DAERAH WAKAF BHARU,
JAJAHAN TUMPAT, KELANTAN
UNTUK TETUAN INFRA QUEST SDN. BHD.
[TAMAN KEBAKAT (BKAD)]

JURUTERA SIVIL & STRUKTUR

PT 110, TINGKAT 5, JALAN TELUK ANSON, KUALA LUMPUR
10000 KUALA LUMPUR, MALAYSIA
TEL. NO. : 03-7463889
FAX NO. : 03-7463890
Email : m.mahmud@pmsd.com

I hereby certify that these works have been design by me in accordance with sound engineering practice and that I take full responsibility for the design and proper performance of the same

IR. NIK HASNI BIN NIK MAHMUD
Adv. Eng. C. Eng. (UKM)
P. Eng. MIEA

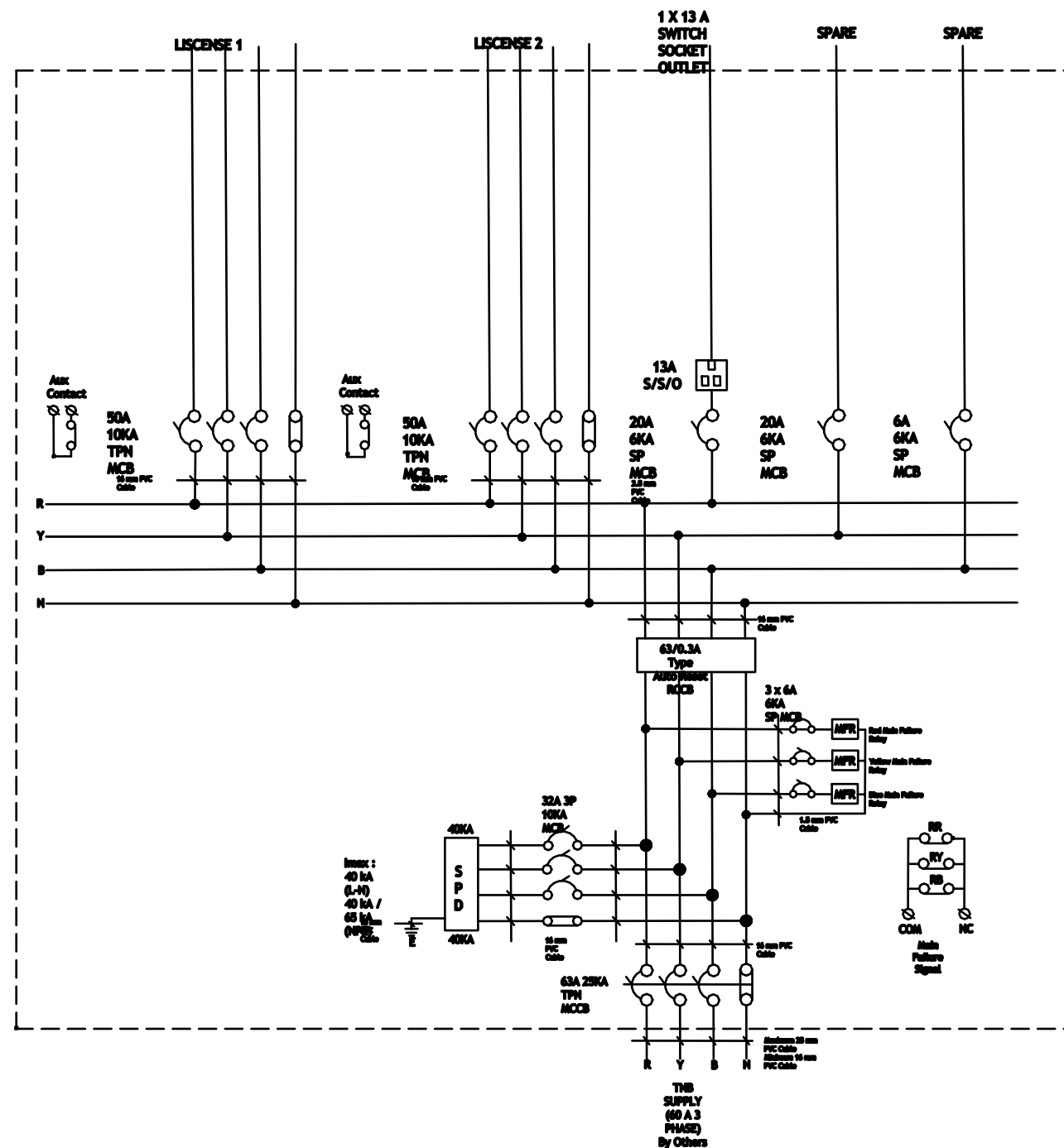
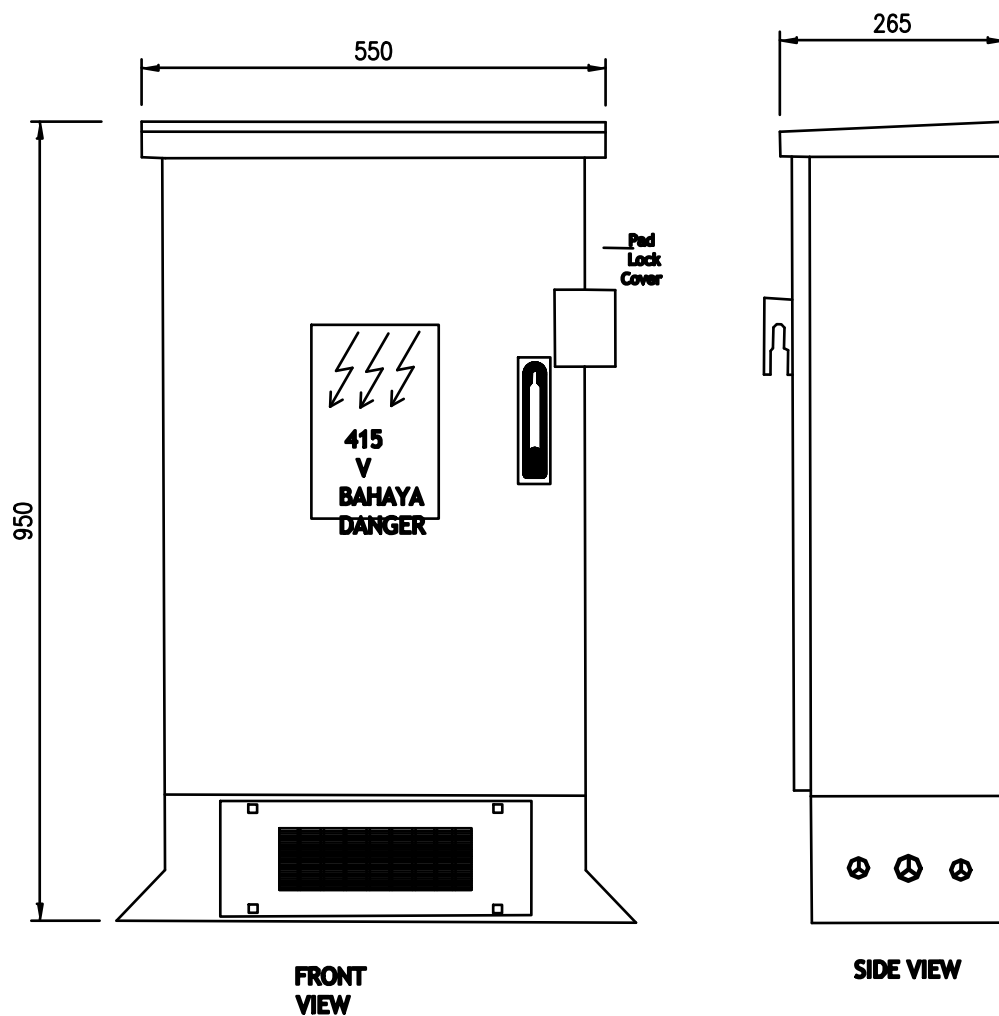
TAJUK LUKISAN

TNB KWH METER BOX

DIREKA	NAH	DISEMAK	NH
DILUKIS	MO	DILULUSKAN	IR. NPHM
TARIKH	OGOS 2023	SKALA	1 : 75

NO. LUKISAN :
NS/ALSB/02/19-23/BKAD/LP30/PMW/E/03

MATERIAL LIST			
LEGEND	ITEM	DESCRIPTION	MAKE
	MCCB	MOULDED CASE CIRCUIT BREAKER 3P+N(25KA)	CHINT/EQUIVALENT
	MCB	MINIATURE CASE BREAKER 1P-3P 6KA/10KA	CHINT/EQUIVALENT
	SPD	SURGE PROTECTOR DEVICE (Imax : 40KA (L-N) 40KA / 65KA (NPE))	ECOLITE / GA&DA EQUIVALENT
	RCCB + AUTO RESET	RISIDUAL CURENCT CIRCUIT BREAKER "AC" TYPE WITH 4P 63A 300 mA C/W MOTORIZED AUTO RESET SYSTEM WITH SELECTABLE RESET TIME	ZMP
	MFR	MAIN FAILURE RELAY	OMRON / IDEC / EQUIVALENT



NOTA

OPERATOR :



MAXIS BROADBOND SDN BHD
LEVEL 4A, MENARA SUNWAY ANNEXE
JALAN LAGUN TIMUR, BANDAR SUNWAY
46150 PETALING JAYA, SELANGOR

PEMILIK



INFRA QUEST SDN BHD
Lot 1046, Jalan Duta' Lintang,
10200 Kuala Lumpur, Malaysia. Sarawak.
Tel : 03-7414383 Fax : 03-7414380

PROJEK

CADANGAN MEMBINA DAN MENYAPKAN
'LAMP POLE' SETINGGI 30 METER DI ATAS
LOT 1019, KG. CHENDERONG BATU,
MUKIM CHENDERONG BATU, DAERAH WAKAF BHARU,
JAJAHAN TUMPAT, KELANTAN
UNTUK TETUAN INFRA QUEST SDN. BHD.
[TAMAN KEBAKAT (BKAD)]

JURUTERA SIVIL & STRUKTUR

PT 174, 174/175, JALAN WISPUK, JELUPANG BENDUNG
18000 BUKIT MELAK, MELAKA
TEL. NO. : 06-746 2889
FAX NO. : 06-746 0860
Email : mmm@infraquest.com

I hereby certify that these works have been design by me in accordance
with sound engineering practice and that I take full responsibility
for the design and proper performance of the work.

IR. NIK HASNI BIN NIK MAHMUD
Adv. Eng. C. Eng. (UKM).
P. Eng. MASEM.

TAJUK LUKISAN

63A PDU (5G)
PANEL LAYOUT
SINGLE LINE DIAGRAM

DIREKA	NAH	DISEMAK	NH
DILUKIS	MO	DILULUSKAN	IR. NHNM
TARIKH	OGOS 2023	SKALA	1 : 75

NO. LUKISAN :
NS/ALSB/02/19-23/BKAD/LP30/PMW/E/04